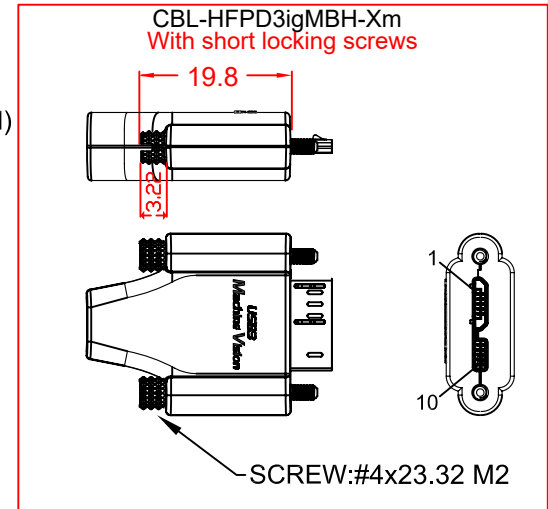
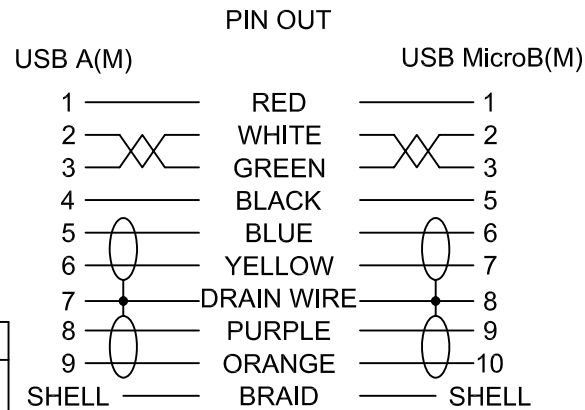
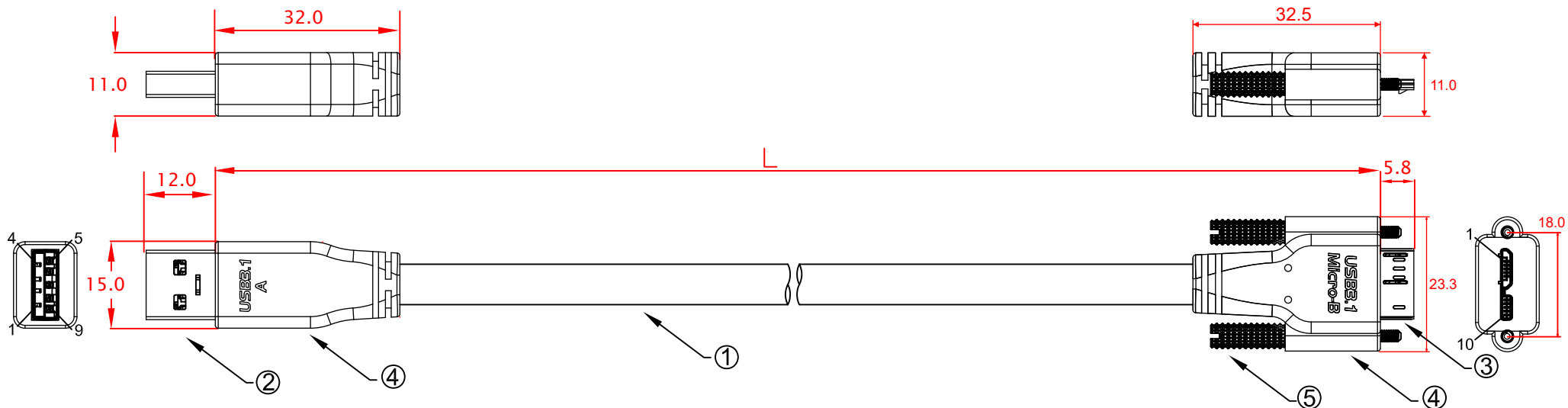


L:
 CBL-HFPD3igMBS-1m 1000mm±20mm
 CBL-HFPD3igMBS-2m 2000mm±20mm
 CBL-HFPD3igMBS-3m 3000mm±20mm

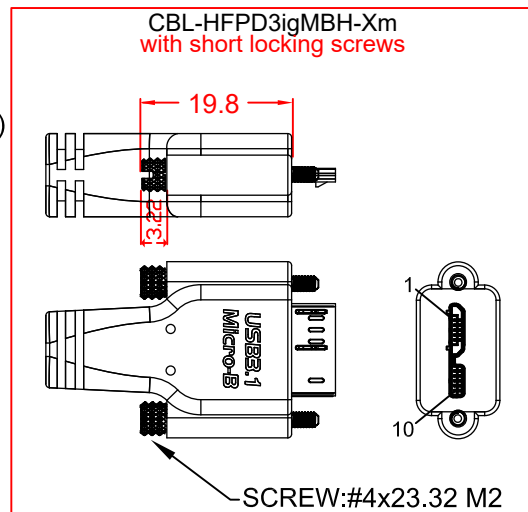
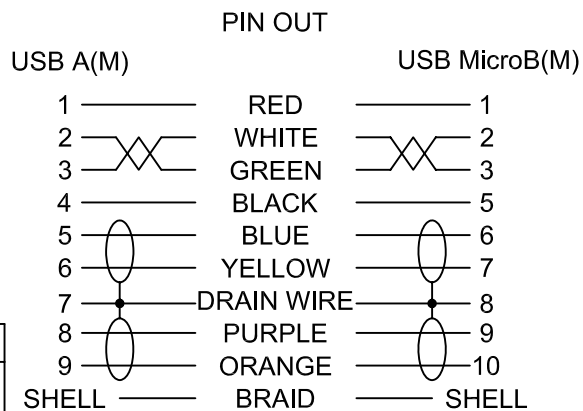


No	MATERIALS LIST:
1.	CABLE:UL20276 (2x(2x28AWG)+2x(2x28AWG)C) OD:7.0mm PUR JACKET COLOR:RED LILAC
2.	CONNECTOR:USB 3.0 A/M, 9P, BLUE INSULATOR SOLDER TYPE, NICKEL PLATED SHELL
3.	CONNECTOR:USB 3.0 MicroB/M, 10P, BLACK INSULATOR SOLDER TYPE, NICKEL PLATED SHELL
4.	ABS ASSEMBLY HOUSING, BLACK COLOR
5.	SCREW:#4x33 M2

Jargy part no.	Client part no.	Approved	SCALE	UNIT
CBL-HFPD3igMBS-xm				mm
Drawing Name		Drawn	Date	REV.
USB 3.0 A to MicroB Cable M/M				1.0

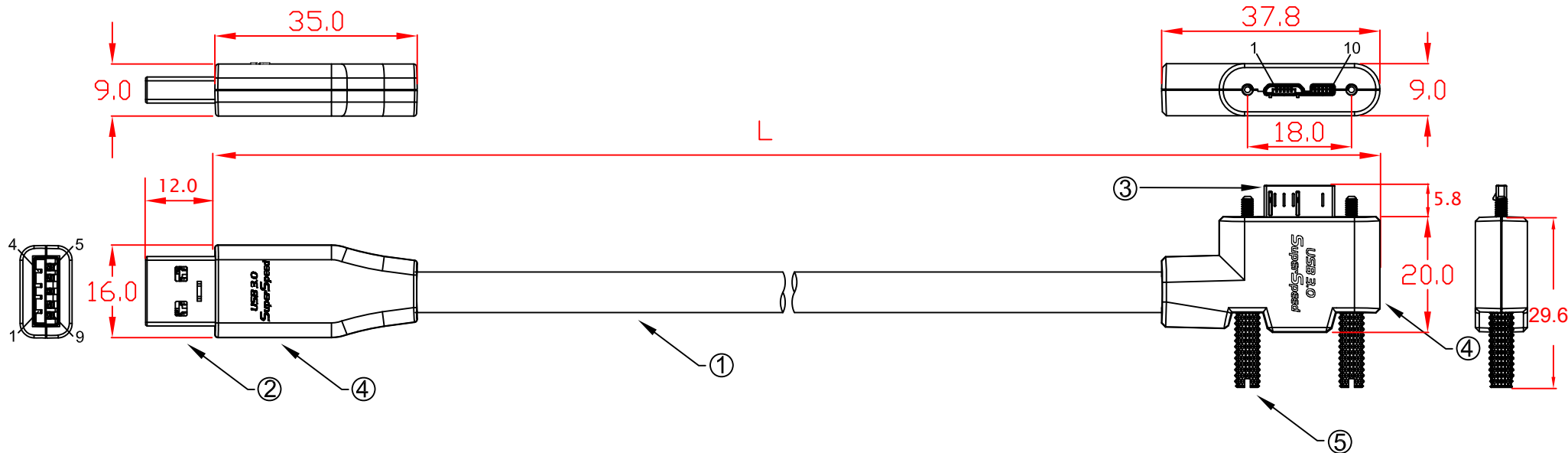


L:
 CBL-HFPD3igMBS-1m 1000mm±20mm
 CBL-HFPD3igMBS-2m 2000mm±20mm
 CBL-HFPD3igMBS-3m 3000mm±20mm

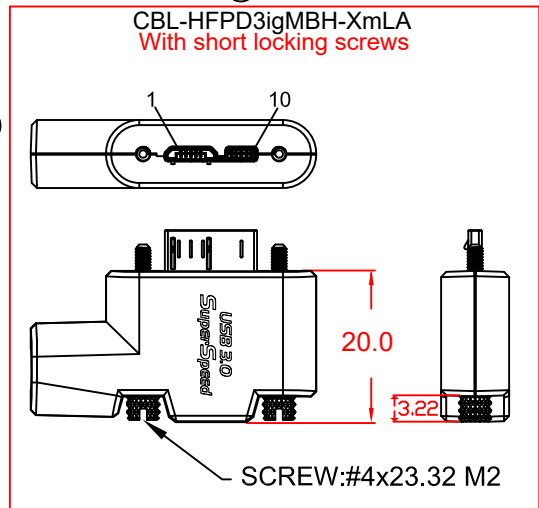
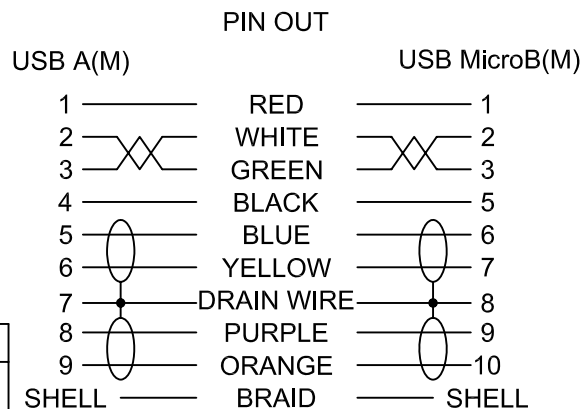


No	MATERIALS LIST:
1.	CABLE:UL20276 (2x(2x28AWG)+2x(2x28AWG)C) OD:7.0mm PUR JACKET COLOR:RED LILAC
2.	CONNECTOR:USB 3.0 A/M, 9P, BLUE INSULATOR SOLDER TYPE, NICKEL PLATED SHELL
3.	CONNECTOR:USB 3.0 MicroB/M, 10P, BLACK INSULATOR SOLDER TYPE, NICKEL PLATED SHELL
4.	PVC MOLDED HOUSING, BLACK COLOR
5.	SCREW:#4x33 M2

Jargy part no.	Client part no.	Approved	SCALE	UNIT
CBL-HFPD3igMBS-xm				mm
Drawing Name		Drawn	Date	REV.
USB 3.0 A to MicroB Cable M/M				1.0

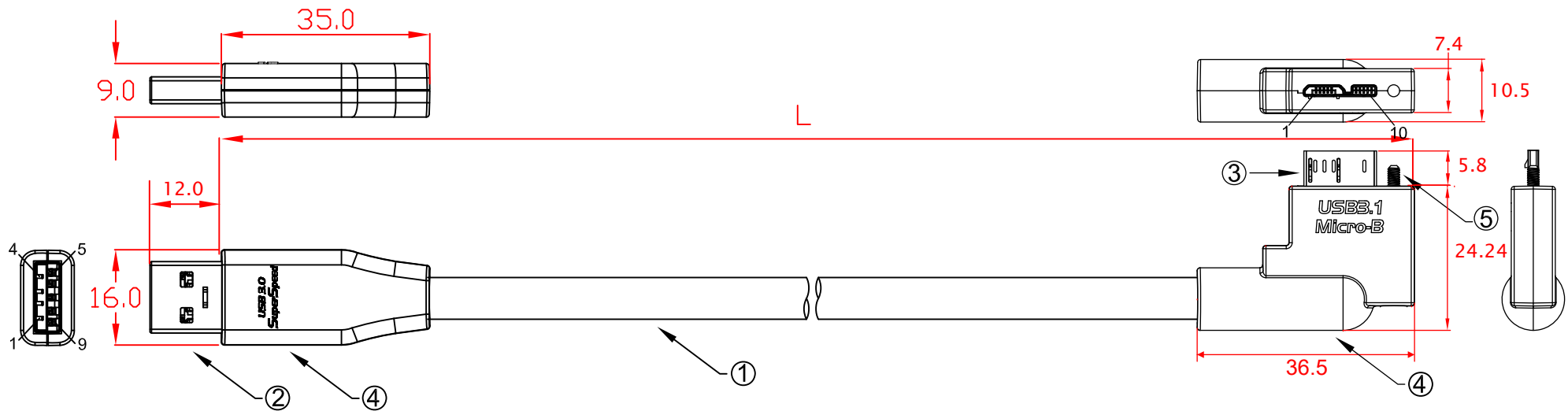


L:
 CBL-HFPD3igMBS-1mLA 1000mm±20mm
 CBL-HFPD3igMBS-2mLA 2000mm±20mm
 CBL-HFPD3igMBS-3mLA 3000mm±20mm



No	MATERIALS LIST:
1.	CABLE:UL20276 (2x(2x28AWG)+2x(2x28AWG)C) OD:7.0mm PUR JACKET COLOR:RED LILAC
2.	CONNECTOR:USB 3.0 A/M, 9P, BLUE INSULATOR SOLDER TYPE, NICKEL PLATED SHELL
3.	CONNECTOR:USB 3.0 MicroB/M, 10P, BLACK INSULATOR SOLDER TYPE, NICKEL PLATED SHELL
4.	ABS ASSEMBLY HOUSING, BLACK COLOR
5.	SCREW:#4x33 M2

Jargy part no.	Client part no.	Approved	SCALE	UNIT
CBL-HFPD3igMBS-xmLA				mm
Drawing Name		Drawn	Date	REV.
USB 3.0 A to MicroB Cable M/M				1.0

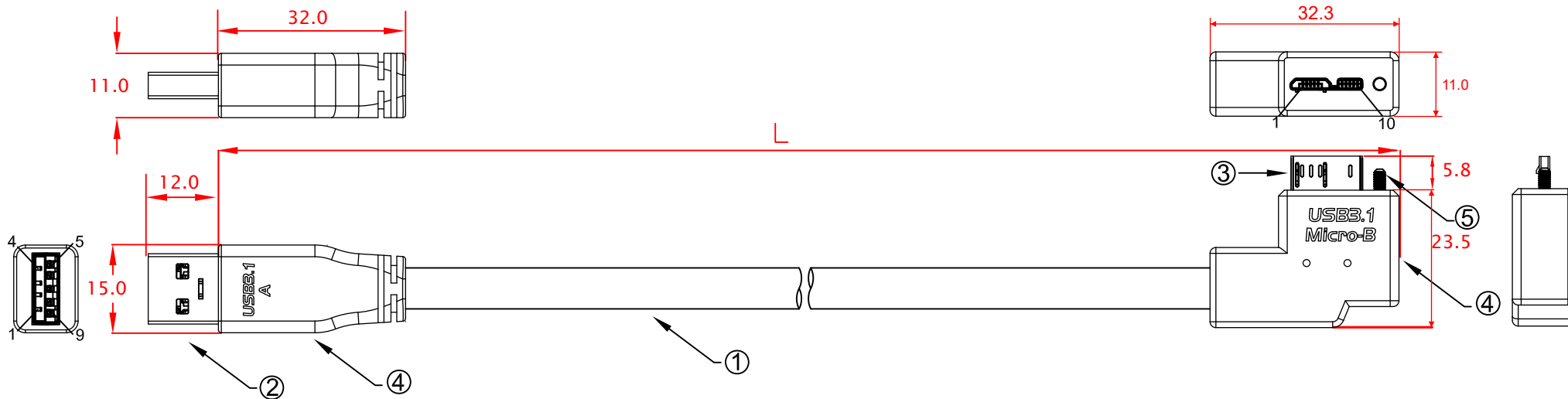


L:
 CBL-HFPD3igMBSN-1mLA 1000mm±20mm
 CBL-HFPD3igMBSN-2mLA 2000mm±20mm
 CBL-HFPD3igMBSN-3mLA 3000mm±20mm

USB A(M)		PIN OUT	USB MicroB(M)	
1	—	RED	—	1
2	⌵	WHITE	⌵	2
3	⌵	GREEN	⌵	3
4	—	BLACK	—	5
5	—	BLUE	—	6
6	—	YELLOW	—	7
7	—	DRAIN WIRE	—	8
8	—	PURPLE	—	9
9	—	ORANGE	—	10
SHELL	—	BRAID	—	SHELL

No	MATERIALS LIST:
1.	CABLE:UL20276 (2x(2x28AWG)+2x(2x28AWG)C) OD:7.0mm PUR JACKET COLOR:RED LILAC
2.	CONNECTOR:USB 3.0 A/M, 9P, BLUE INSULATOR SOLDER TYPE, NICKEL PLATED SHELL
3.	CONNECTOR:USB 3.0 MicroB/M, 10P, BLACK INSULATOR SOLDER TYPE, NICKEL PLATED SHELL
4.	ABS ASSEMBLY HOUSING, BLACK COLOR
5.	SCREW:#4x23.32 M2

Jargy part no.	Client part no.	Approved	SCALE	UNIT
CBL-HFPD3igMBSN-xmLA				mm
Drawing Name		Drawn	Date	REV.
USB 3.0 A to MicroB Cable M/M				1.0

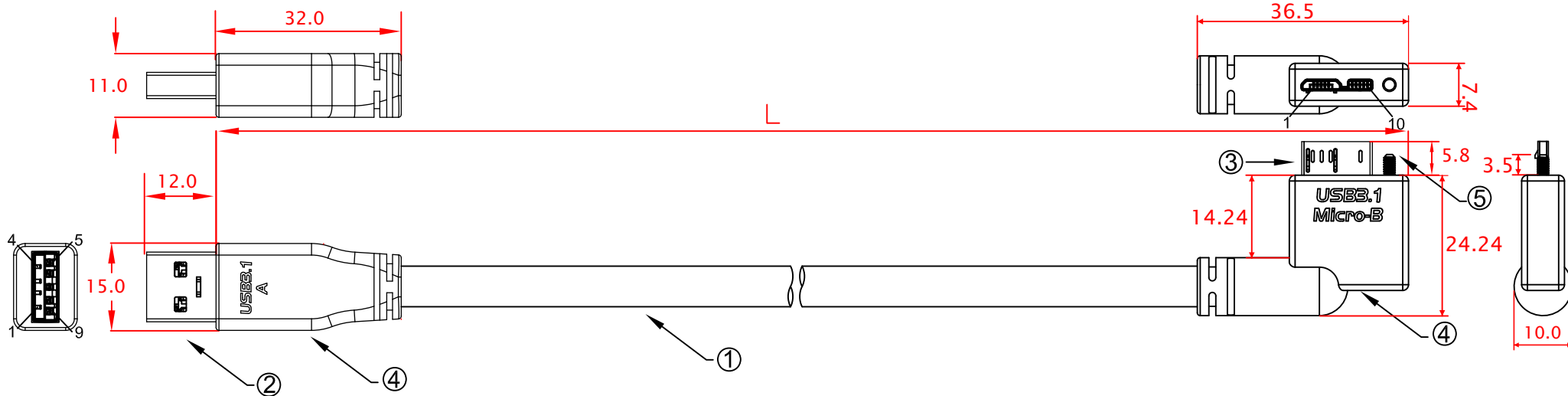


L:
 CBL-HFPD3igMBH-1mLA 1000mm±20mm
 CBL-HFPD3igMBH-2mLA 2000mm±20mm
 CBL-HFPD3igMBH-3mLA 3000mm±20mm

USB A(M)		PIN OUT	USB MicroB(M)	
1	—	RED	—	1
2	—	WHITE	—	2
3	—	GREEN	—	3
4	—	BLACK	—	5
5	—	BLUE	—	6
6	—	YELLOW	—	7
7	—	DRAIN WIRE	—	8
8	—	PURPLE	—	9
9	—	ORANGE	—	10
SHELL	—	BRAID	—	SHELL

No	MATERIALS LIST:
1.	CABLE:UL20276 (2x(2x28AWG)+2x(2x28AWG)C) OD:7.0mm PUR JACKET COLOR:RED LILAC
2.	CONNECTOR:USB 3.0 A/M, 9P, BLUE INSULATOR SOLDER TYPE, NICKEL PLATED SHELL
3.	CONNECTOR:USB 3.0 MicroB/M, 10P, BLACK INSULATOR SOLDER TYPE, NICKEL PLATED SHELL
4.	PVC MOLDED HOUSING, BLACK COLOR
5.	SCREW:#4x23.32 M2

Jargy part no.	Client part no.	Approved	SCALE	UNIT
CBL-HFPD3igMBH-xmLA				mm
Drawing Name		Drawn	Date	REV.
USB 3.0 A to MicroB Cable M/M				1.0

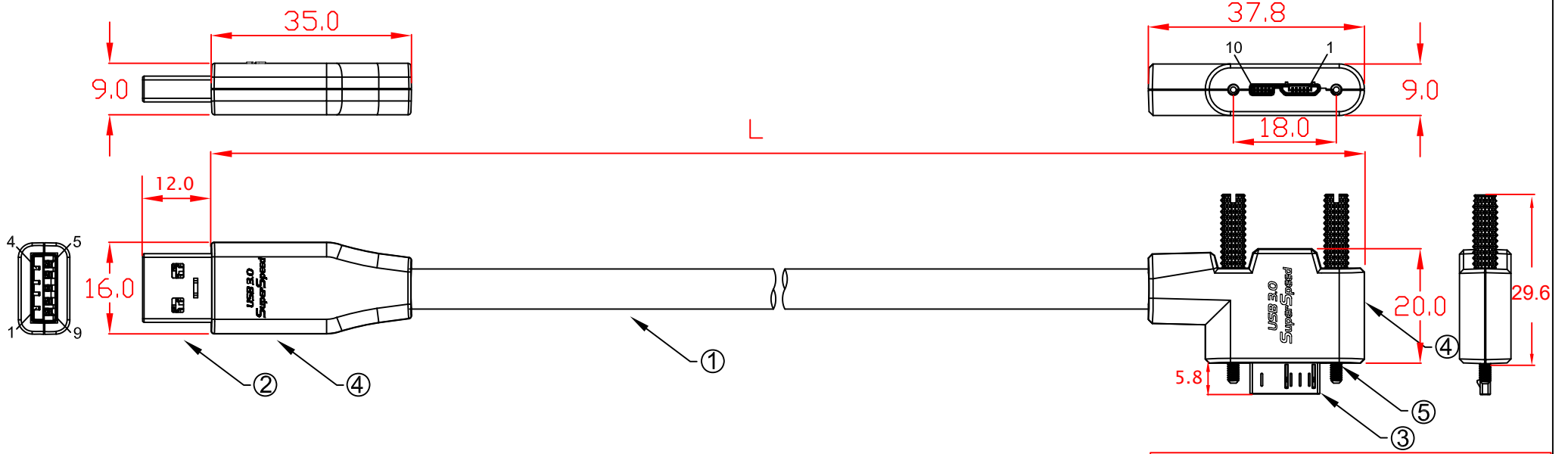


L:
 CBL-HFPD3igMBHM-1mLA 1000mm±20mm
 CBL-HFPD3igMBHM-2mLA 2000mm±20mm
 CBL-HFPD3igMBHM-3mLA 3000mm±20mm

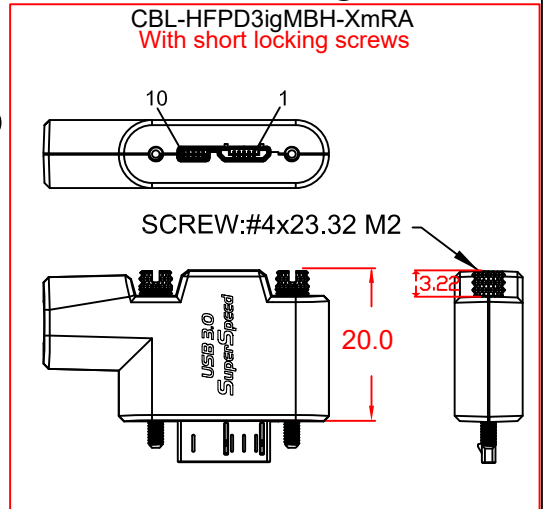
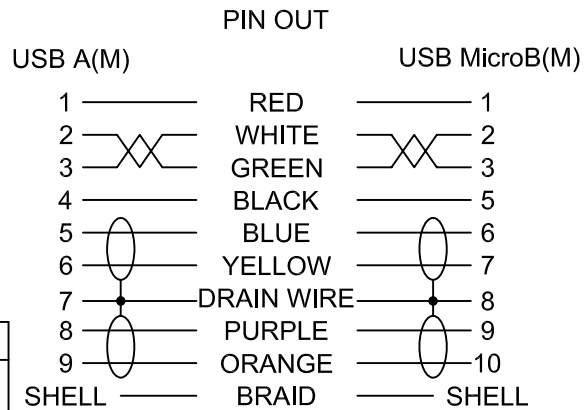
PIN OUT		
USB A(M)		USB MicroB(M)
1 ———	RED	1 ———
2 — X —	WHITE	2 — X —
3 — X —	GREEN	3 — X —
4 ———	BLACK	5 ———
5 — O —	BLUE	6 — O —
6 ———	YELLOW	7 ———
7 —●—	DRAIN WIRE	8 —●—
8 — O —	PURPLE	9 — O —
9 — O —	ORANGE	10 — O —
SHELL ———	BRAID	SHELL ———

No	MATERIALS LIST:
1.	CABLE:UL20276 (2x(2x28AWG)+2x(2x28AWG)C) OD:7.0mm PUR JACKET COLOR:RED LILAC
2.	CONNECTOR:USB 3.0 A/M, 9P, BLUE INSULATOR SOLDER TYPE, NICKEL PLATED SHELL
3.	CONNECTOR:USB 3.0 MicroB/M, 10P, BLACK INSULATOR SOLDER TYPE, NICKEL PLATED SHELL
4.	PVC MOLDED HOUSING, BLACK COLOR
5.	SCREW:#4x23.32 M2

Jargy part no.	Client part no.	Approved	SCALE	UNIT
CBL-HFPD3igMBHM-xmLA				mm
Drawing Name		Drawn	Date	REV.
USB 3.0 A to MicroB Cable M/M				1.0



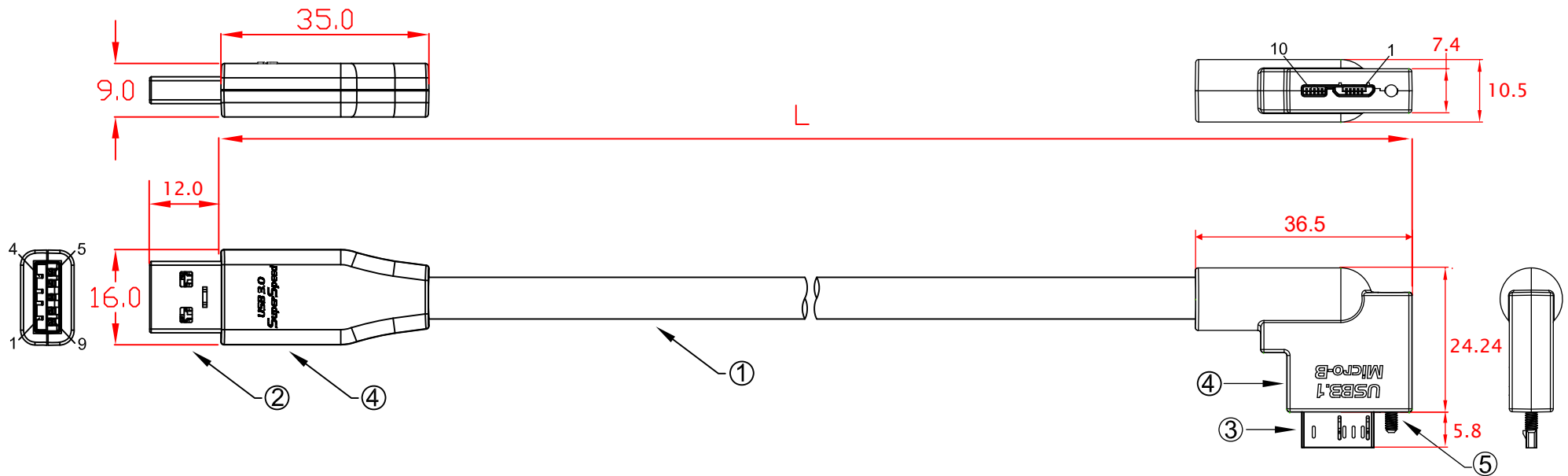
L:
 CBL-HFPD3igMBS-1mRA 1000mm±20mm
 CBL-HFPD3igMBS-2mRA 2000mm±20mm
 CBL-HFPD3igMBS-3mRA 3000mm±20mm



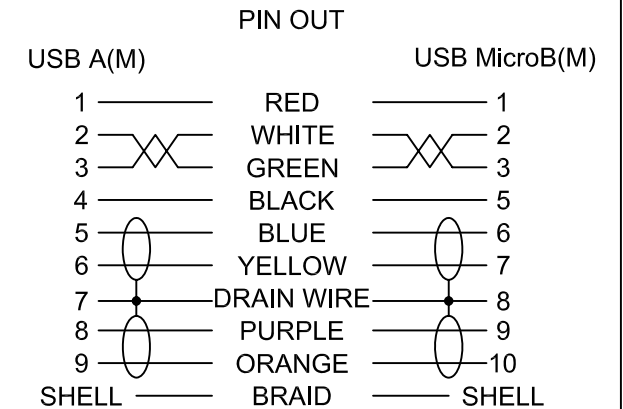
No	MATERIALS LIST:
1.	CABLE:UL20276 (2x(2x28AWG)+2x(2x28AWG)C) OD:7.0mm PUR JACKET COLOR:RED LILAC
2.	CONNECTOR:USB 3.0 A/M, 9P, BLUE INSULATOR SOLDER TYPE, NICKEL PLATED SHELL
3.	CONNECTOR:USB 3.0 MicroB/M, 10P, BLACK INSULATOR SOLDER TYPE, NICKEL PLATED SHELL
4.	ABS ASSEMBLY HOUSING, BLACK COLOR
5.	SCREW:#4x33 M2

Jargy part no.	Client part no.	Approved	SCALE	UNIT
CBL-HFPD3igMBS-xmRA				mm
Drawing Name		Drawn	Date	REV.
USB 3.0 A to MicroB Cable M/M				1.0

Mobile Computing **JARGY**

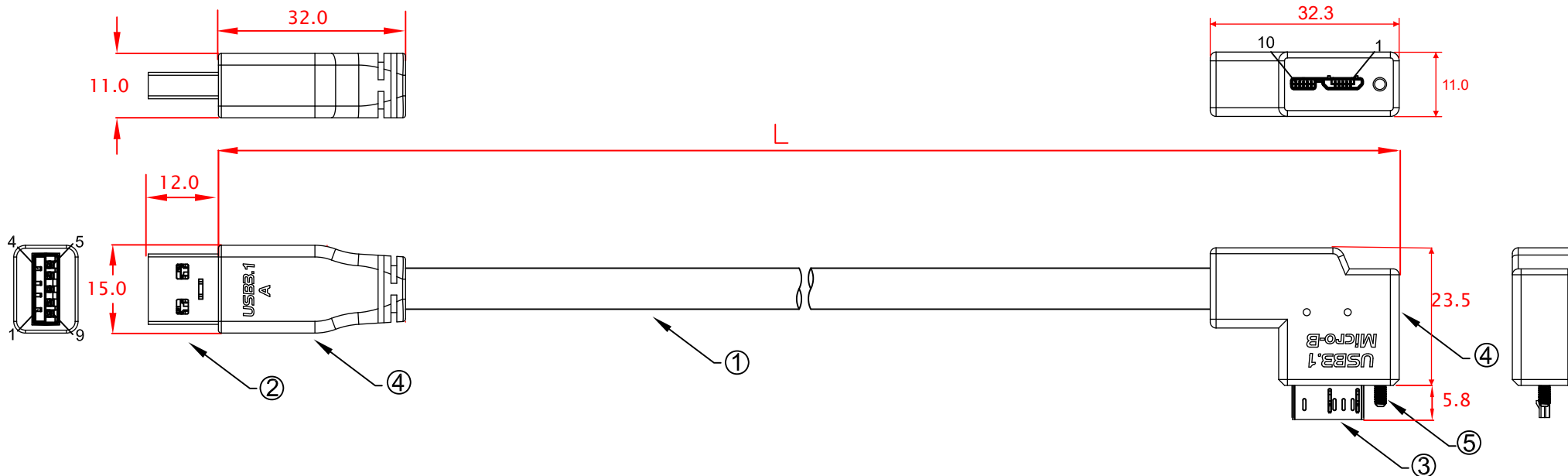


L:
 CBL-HFPD3igMBSN-1mRA 1000mm±20mm
 CBL-HFPD3igMBSN-2mRA 2000mm±20mm
 CBL-HFPD3igMBSN-3mRA 3000mm±20mm



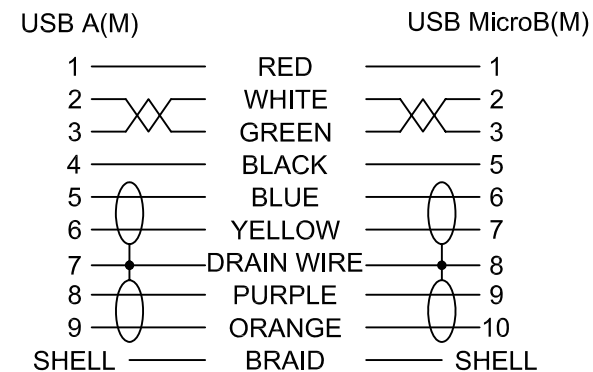
No	MATERIALS LIST:
1.	CABLE:UL20276 (2x(2x28AWG)+2x(2x28AWG)C) OD:7.0mm PUR JACKET COLOR:RED LILAC
2.	CONNECTOR:USB 3.0 A/M, 9P, BLUE INSULATOR SOLDER TYPE, NICKEL PLATED SHELL
3.	CONNECTOR:USB 3.0 MicroB/M, 10P, BLACK INSULATOR SOLDER TYPE, NICKEL PLATED SHELL
4.	ABS ASSEMBLY HOUSING, BLACK COLOR
5.	SCREW:#4x23.32 M2

Jargy part no.	Client part no.	Approved	SCALE	UNIT
CBL-HFPD3igMBSN-xmRA				mm
Drawing Name		Drawn	Date	REV.
USB 3.0 A to MicroB Cable M/M				1.0



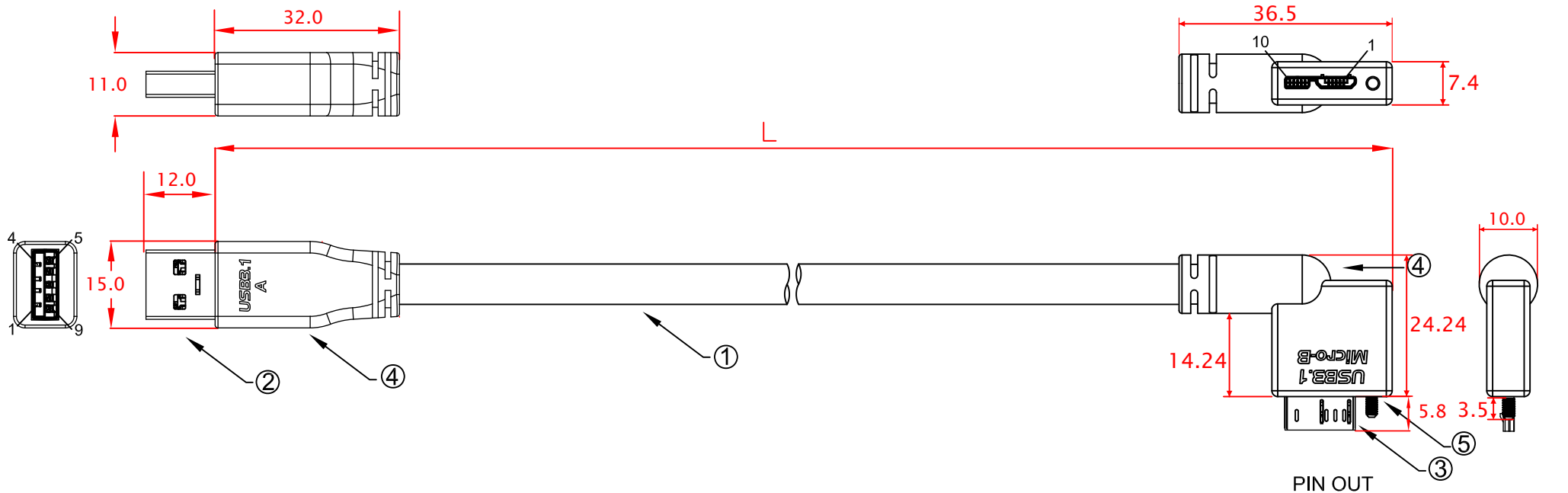
L:
 CBL-HFPD3igMBH-1mRA 1000mm±20mm
 CBL-HFPD3igMBH-2mRA 2000mm±20mm
 CBL-HFPD3igMBH-3mRA 3000mm±20mm

PIN OUT

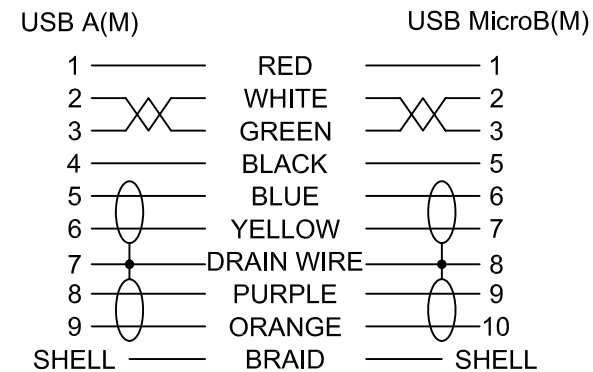


No	MATERIALS LIST:
1.	CABLE:UL20276 (2x(2x28AWG)+2x(2x28AWG)C) OD:7.0mm PUR JACKET COLOR:RED LILAC
2.	CONNECTOR:USB 3.0 A/M, 9P, BLUE INSULATOR SOLDER TYPE, NICKEL PLATED SHELL
3.	CONNECTOR:USB 3.0 MicroB/M, 10P, BLACK INSULATOR SOLDER TYPE, NICKEL PLATED SHELL
4.	PVC MOLDED HOUSING, BLACK COLOR
5.	SCREW:#4x23.32 M2

Jargy part no.	Client part no.	Approved	SCALE	UNIT
CBL-HFPD3igMBH-xmRA				mm
Drawing Name		Drawn	Date	REV.
USB 3.0 A to MicroB Cable M/M				1.0

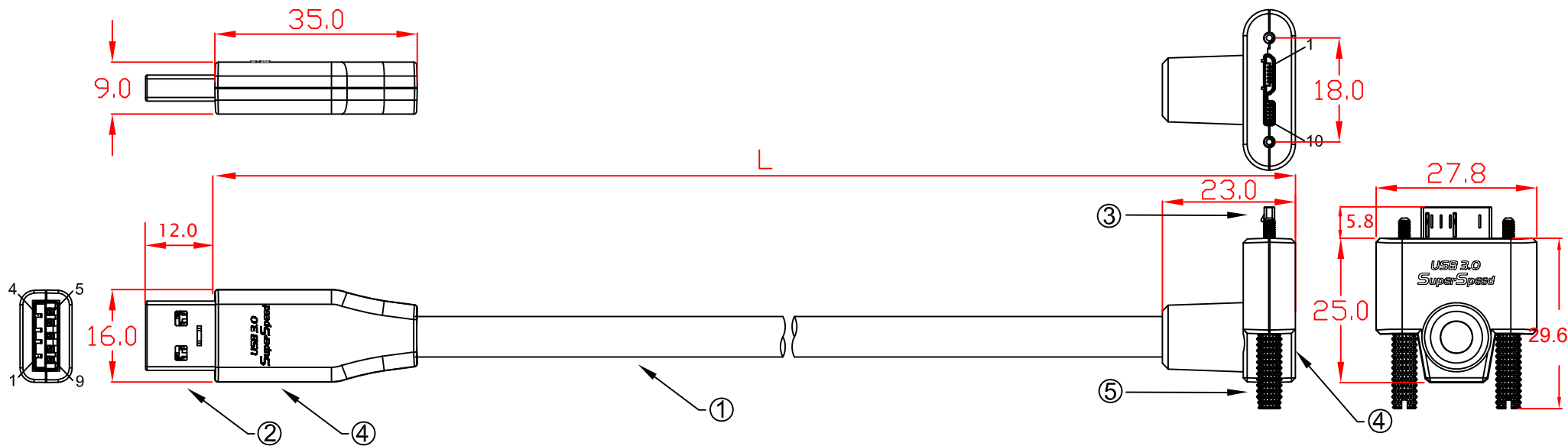


L:
 CBL-HFPD3igMBHM-1mRA 1000mm±20mm
 CBL-HFPD3igMBHM-2mRA 2000mm±20mm
 CBL-HFPD3igMBHM-3mRA 3000mm±20mm

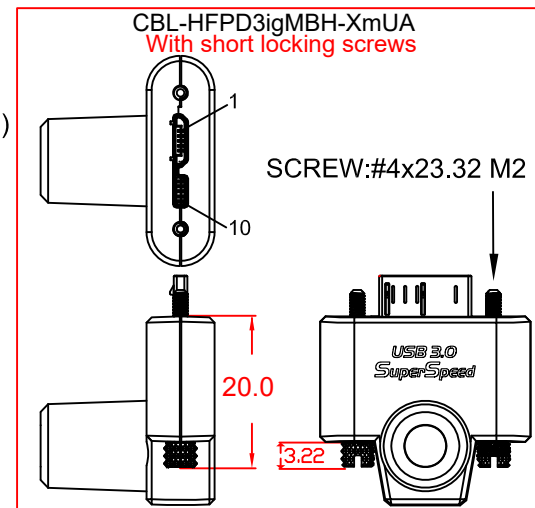
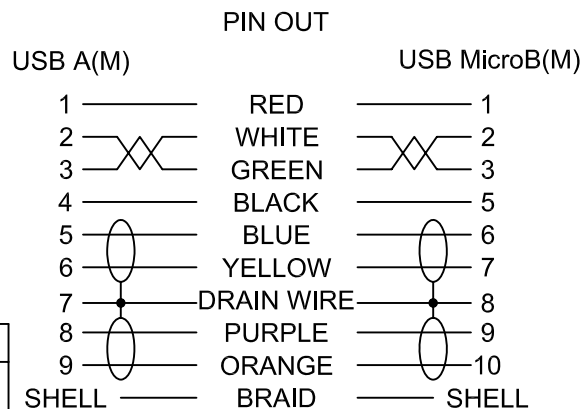


No	MATERIALS LIST:
1.	CABLE:UL20276 (2x(2x28AWG)+2x(2x28AWG)C) OD:7.0mm PUR JACKET COLOR:RED LILAC
2.	CONNECTOR:USB 3.0 A/M, 9P, BLUE INSULATOR SOLDER TYPE, NICKEL PLATED SHELL
3.	CONNECTOR:USB 3.0 MicroB/M, 10P, BLACK INSULATOR SOLDER TYPE, NICKEL PLATED SHELL
4.	PVC MOLDED HOUSING, BLACK COLOR
5.	SCREW:#4x23.32 M2

Jargy part no.	Client part no.	Approved	SCALE	UNIT
CBL-HFPD3igMBHM-xmRA				mm
Drawing Name		Drawn	Date	REV.
USB 3.0 A to MicroB Cable M/M				1.0

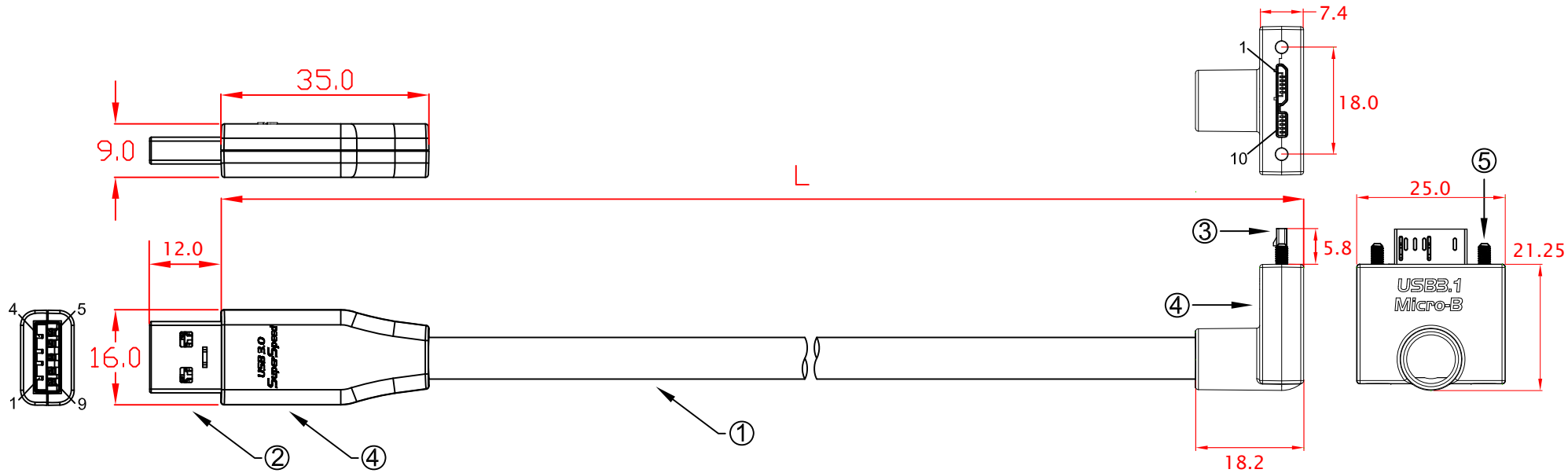


L:
 CBL-HFPD3igMBS-1mUA 1000mm±20mm
 CBL-HFPD3igMBS-2mUA 2000mm±20mm
 CBL-HFPD3igMBS-3mUA 3000mm±20mm

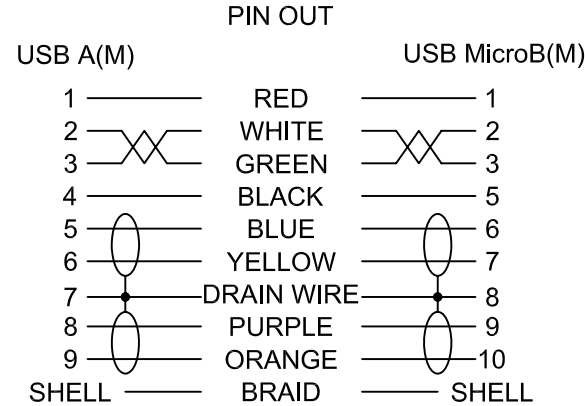


No	MATERIALS LIST:
1.	CABLE:UL20276 (2x(2x28AWG)+2x(2x28AWG)C) OD:7.0mm PUR JACKET COLOR:RED LILAC
2.	CONNECTOR:USB 3.0 A/M, 9P, BLUE INSULATOR SOLDER TYPE, NICKEL PLATED SHELL
3.	CONNECTOR:USB 3.0 MicroB/M, 10P, BLACK INSULATOR SOLDER TYPE, NICKEL PLATED SHELL
4.	ABS ASSEMBLY HOUSING, BLACK COLOR
5.	SCREW:#4x33 M2

Jargy part no.	Client part no.	Approved	SCALE	UNIT
CBL-HFPD3igMBS-xmUA				mm
Drawing Name		Drawn	Date	REV.
USB 3.0 A to MicroB Cable M/M				1.0

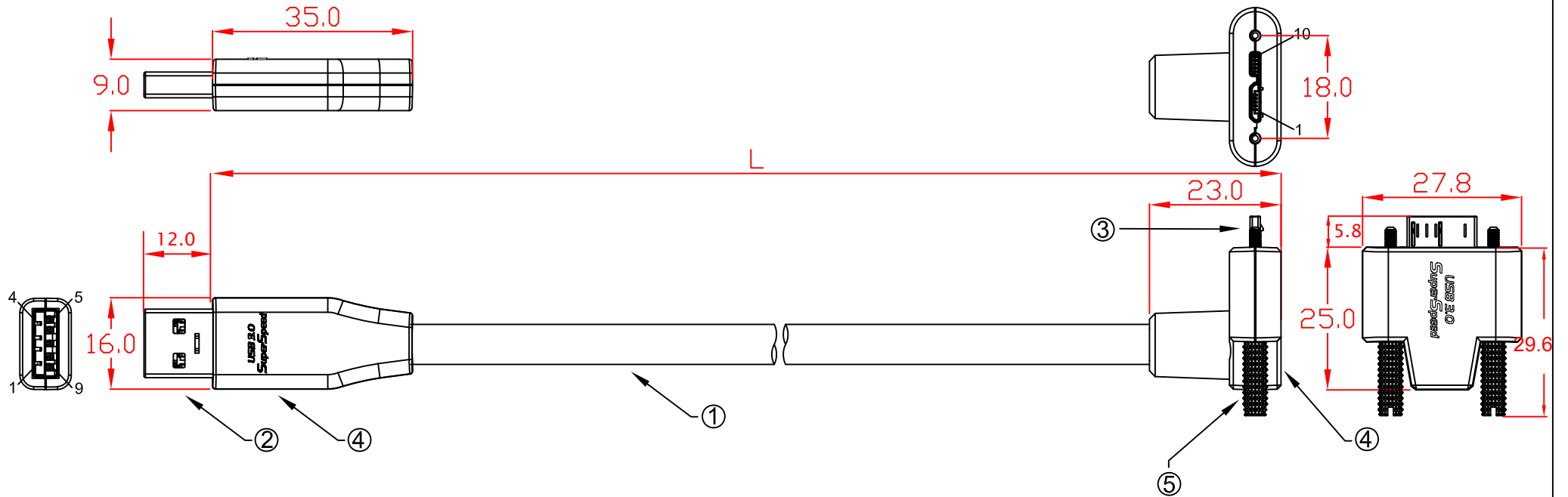


L:
 CBL-HFPD3igMBSN-1mUA 1000mm±20mm
 CBL-HFPD3igMBSN-2mUA 2000mm±20mm
 CBL-HFPD3igMBSN-3mUA 3000mm±20mm

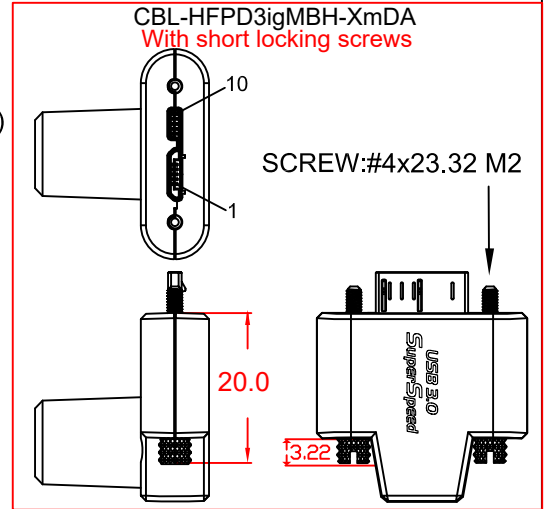
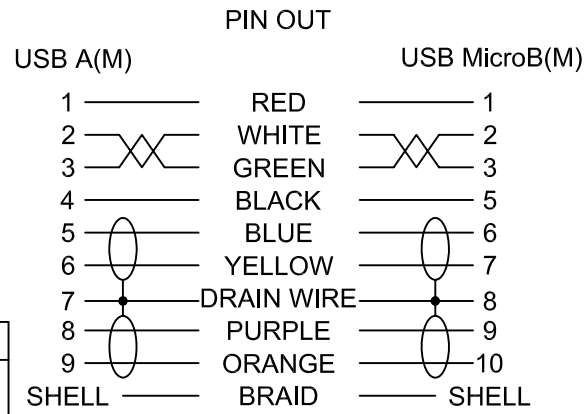


No	MATERIALS LIST:
1.	CABLE:UL20276 (2x(2x28AWG)+2x(2x28AWG)C) OD:7.0mm PUR JACKET COLOR:RED LILAC
2.	CONNECTOR:USB 3.0 A/M, 9P, BLUE INSULATOR SOLDER TYPE, NICKEL PLATED SHELL
3.	CONNECTOR:USB 3.0 MicroB/M, 10P, BLACK INSULATOR SOLDER TYPE, NICKEL PLATED SHELL
4.	ABS ASSEMBLY HOUSING, BLACK COLOR
5.	SCREW:#4x23.32 M2

Jargy part no.	Client part no.	Approved	SCALE	UNIT
CBL-HFPD3igMBSN-xmUA				mm
Drawing Name		Drawn	Date	REV.
USB 3.0 A to MicroB Cable M/M				1.0

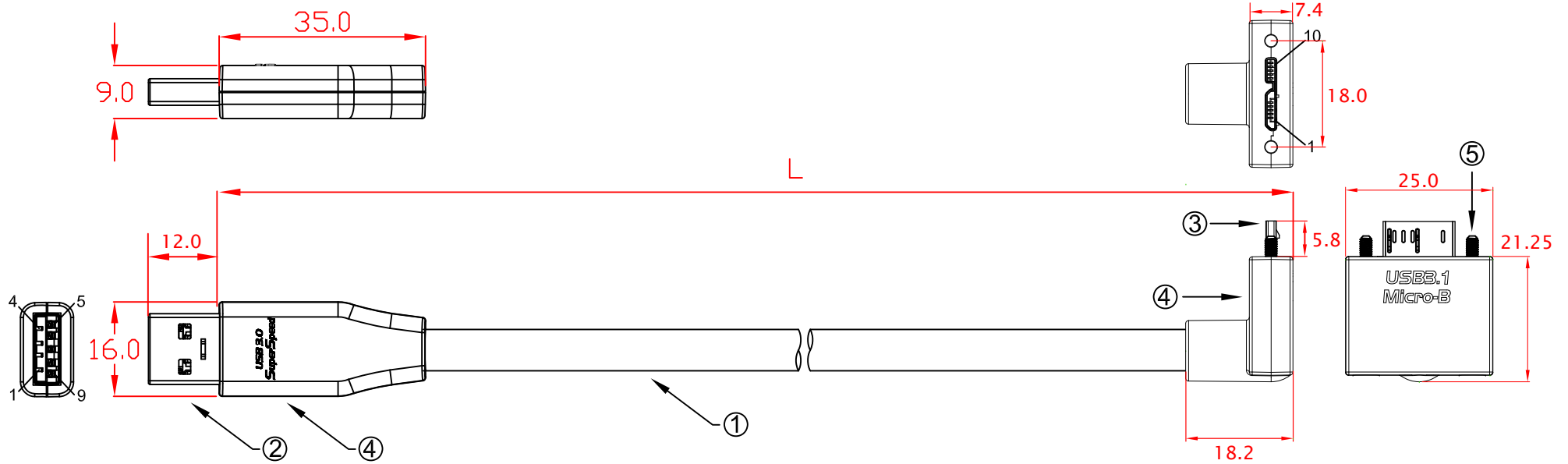


L:
 CBL-HFPD3igMBS-1mDA 1000mm±20mm
 CBL-HFPD3igMBS-2mDA 2000mm±20mm
 CBL-HFPD3igMBS-3mDA 3000mm±20mm

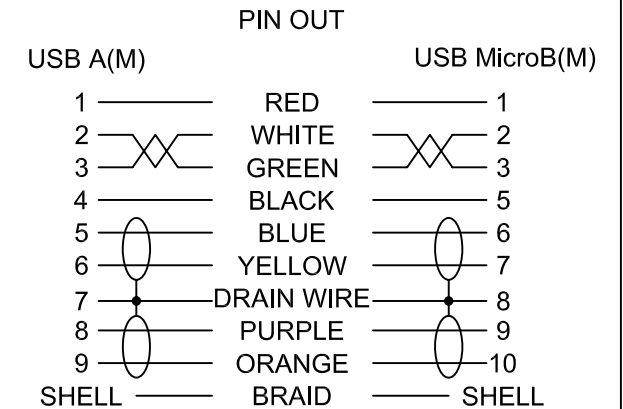


No	MATERIALS LIST:
1.	CABLE:UL20276 (2x(2x28AWG)+2x(2x28AWG)C) OD:7.0mm PUR JACKET COLOR:RED LILAC
2.	CONNECTOR:USB 3.0 A/M, 9P, BLUE INSULATOR SOLDER TYPE, NICKEL PLATED SHELL
3.	CONNECTOR:USB 3.0 MicroB/M, 10P, BLACK INSULATOR SOLDER TYPE, NICKEL PLATED SHELL
4.	ABS ASSEMBLY HOUSING, BLACK COLOR
5.	SCREW:#4x33 M2

Jargy part no.	Client part no.	Approved	SCALE	UNIT
CBL-HFPD3igMBS-xmDA				mm
Drawing Name		Drawn	Date	REV.
USB 3.0 A to MicroB Cable M/M				1.0



L:
 CBL-HFPD3igMBSN-1mDA 1000mm±20mm
 CBL-HFPD3igMBSN-2mDA 2000mm±20mm
 CBL-HFPD3igMBSN-3mDA 3000mm±20mm



No	MATERIALS LIST:
1.	CABLE:UL20276 (2x(2x28AWG)+2x(2x28AWG)C) OD:7.0mm PUR JACKET COLOR:RED LILAC
2.	CONNECTOR:USB 3.0 A/M, 9P, BLUE INSULATOR SOLDER TYPE, NICKEL PLATED SHELL
3.	CONNECTOR:USB 3.0 MicroB/M, 10P, BLACK INSULATOR SOLDER TYPE, NICKEL PLATED SHELL
4.	ABS ASSEMBLY HOUSING, BLACK COLOR
5.	SCREW:#4x23.32 M2

Jargy part no.	Client part no.	Approved	SCALE	UNIT
CBL-HFPD3igMBSN-xmDA				mm
Drawing Name		Drawn	Date	REV.
USB 3.0 A to MicroB Cable M/M				1.0